

VORTICE LINEO 315 QUIET (17166)

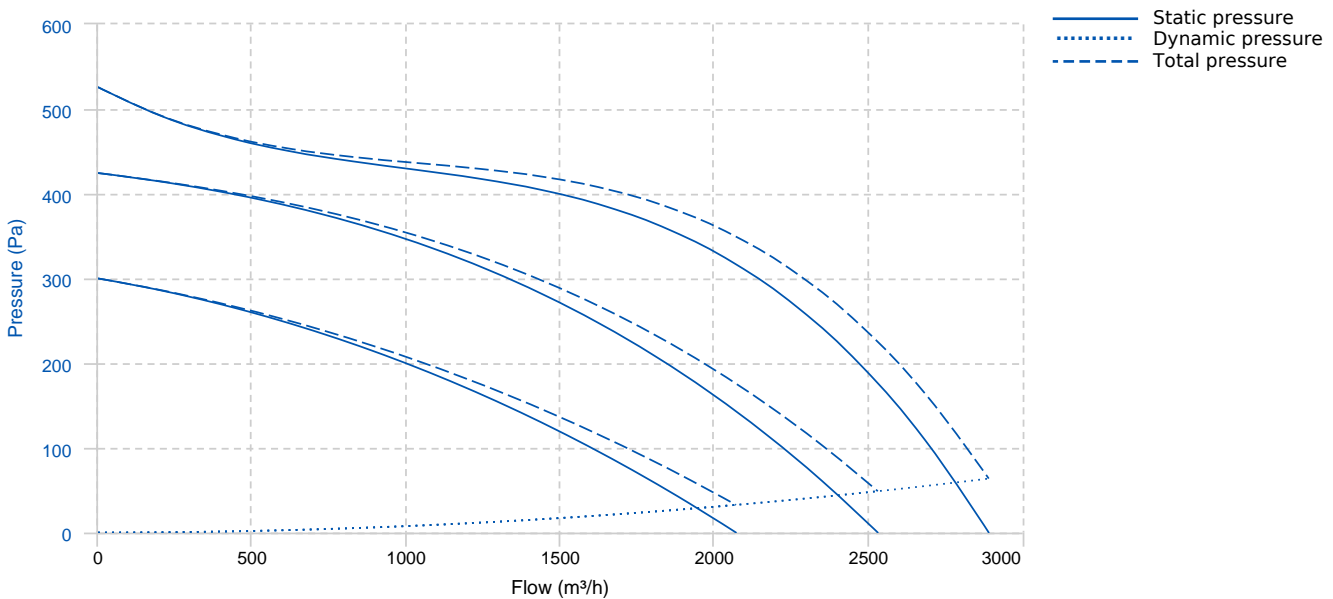
GENERAL DATA



Sound-proof mixed flow extractor fans

Fire resistant plastic resin construction, class E2, according to ISO EN 11925-2:2010, in the areas facing the motor and electrical components.
 Integral sound-absorbing casing, optimised to minimise the sound emissions radiated into the room and transmitted through the intake and discharge ducts.
 Thermally protected induction motor with shaft mounted on ball bearings, combined with a helical-centrifugal impeller. High degree of water resistance: IPX5 (when installed in a duct).
 Speed controllable by Vortice controllers.

PERFORMANCE CURVE

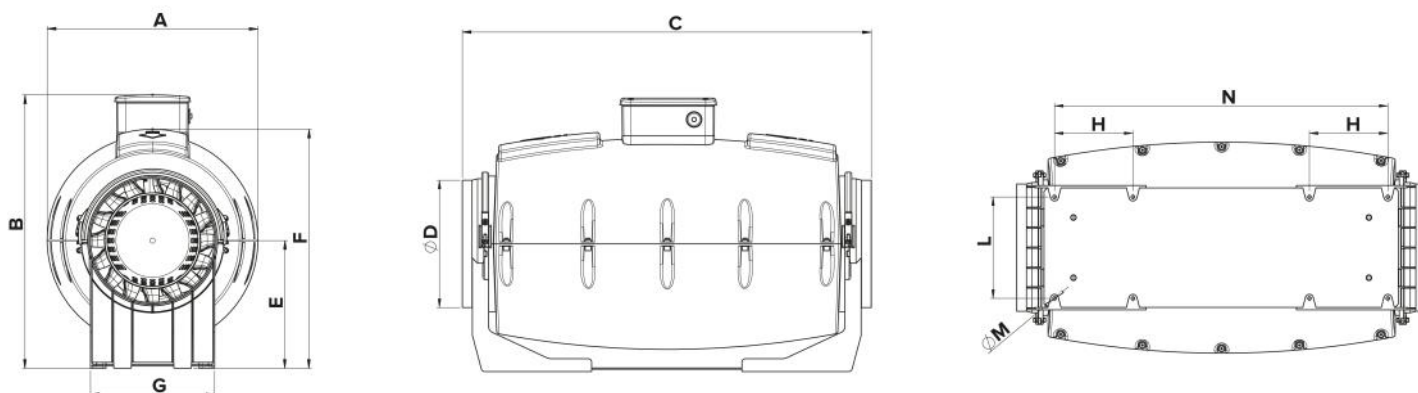


TECHNICAL DATA

Fan

Approx. weight	28.3 kg	Max. Flow	2890 m³/h
----------------	---------	-----------	-----------

DIMENSIONS



Dimensions (mm)

A	415.5	B	496.5	C	940	E	244	F	441
G	309	H	110	L	255	N	780	ØD	307
ØM	8.5								

WIRING DIAGRAM

FOR ELECTRICAL SCHEMES
PLEASE SEE THE USER MANUAL

ACCESSORIES

SENSOR
C TEMP (temperature sensor)
REF: 12992

SENSOR
C SMOKE (smoke sensor)
REF: 12993

SENSOR
C HCS (humidity sensor)
REF: 12994

SENSOR
C PIR (passive infrared sensor)
REF: 12998

SENSOR
C TIMER
REF: 12999

CONTROLLER
C 2.5 (electronic speed controller)
REF: 12967

